



LETTER AGREEMENT

No. 91-29-PGE



Pacific Gas and Electric Company
Industrial Relations Department
215 Market Street
San Francisco, California 94106
[415] 973-1125

International Brotherhood of
Electrical Workers, AFL-CIO
Local Union 1245, IBEW
P.O. Box 4790
Walnut Creek, California 94596
[415] 933-6060

Richard Bradford, Manager

Jack McNally, Business Manager

February 20, 1991

Local Union No. 1245
International Brotherhood of
Electrical Workers, AFL-CIO
P. O. Box 4790
Walnut Creek, CA 94596

Attention: Mr. Jack McNally, Business Manager

Gentlemen:

Attached are revised Lines of Progression for "Station, Substation and Hydro Construction" and for "Line of Construction." These minor changes were as a result of discussions held between Roger Stalcup of your staff and John Moffat of ENCON Human Resources subsequent to bargaining to correct and clarify issues discussed during bargaining.

If you are in accord with the foregoing and the attachments and agree thereto, please so indicate in the space provided below and return one executed copy of this letter to Company.

Very truly yours,

PACIFIC GAS AND ELECTRIC COMPANY

By 
Manager of Industrial Relations

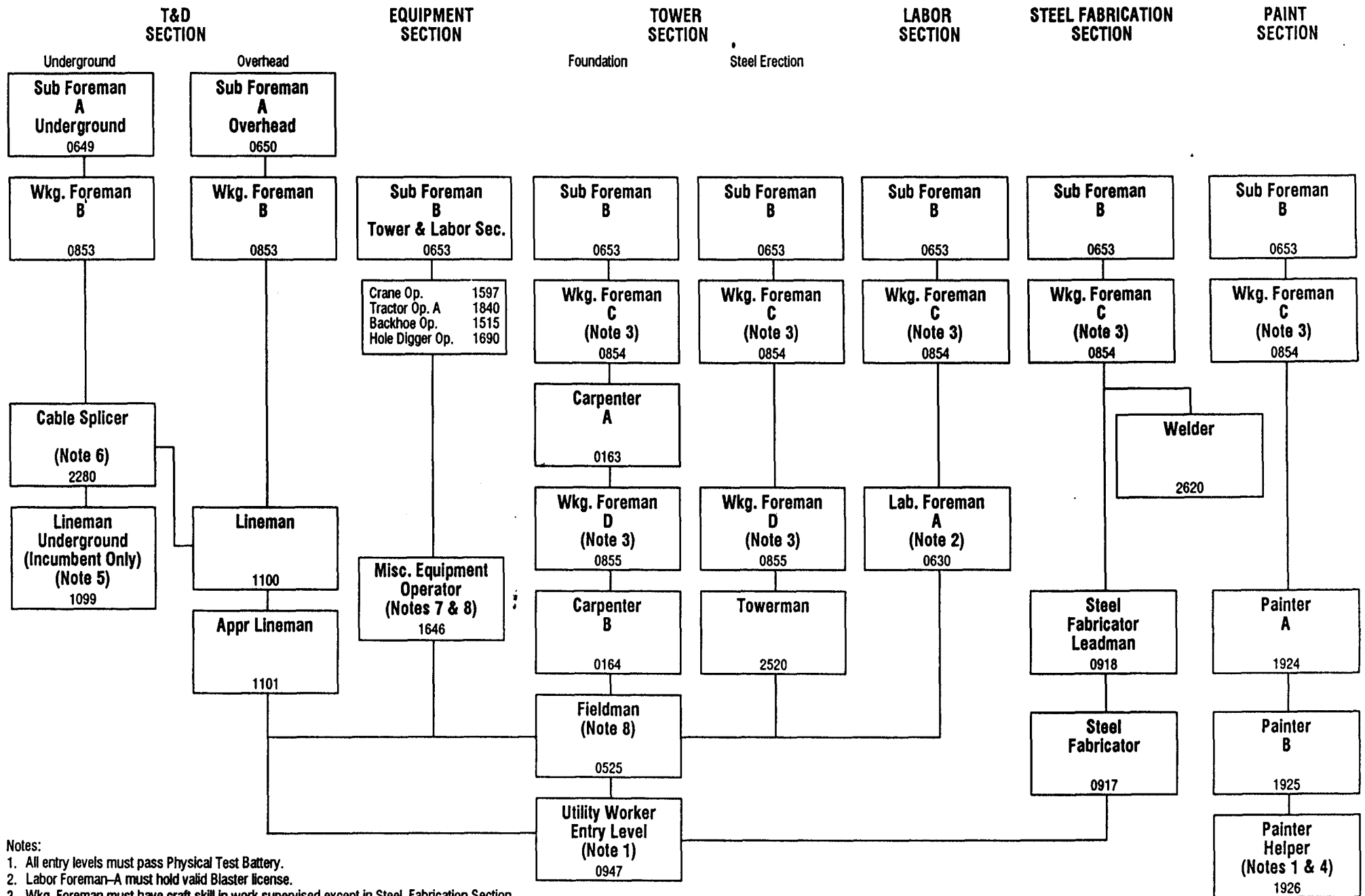
The Union is in accord with the foregoing and the attachments and it agrees thereto as of the date hereof.

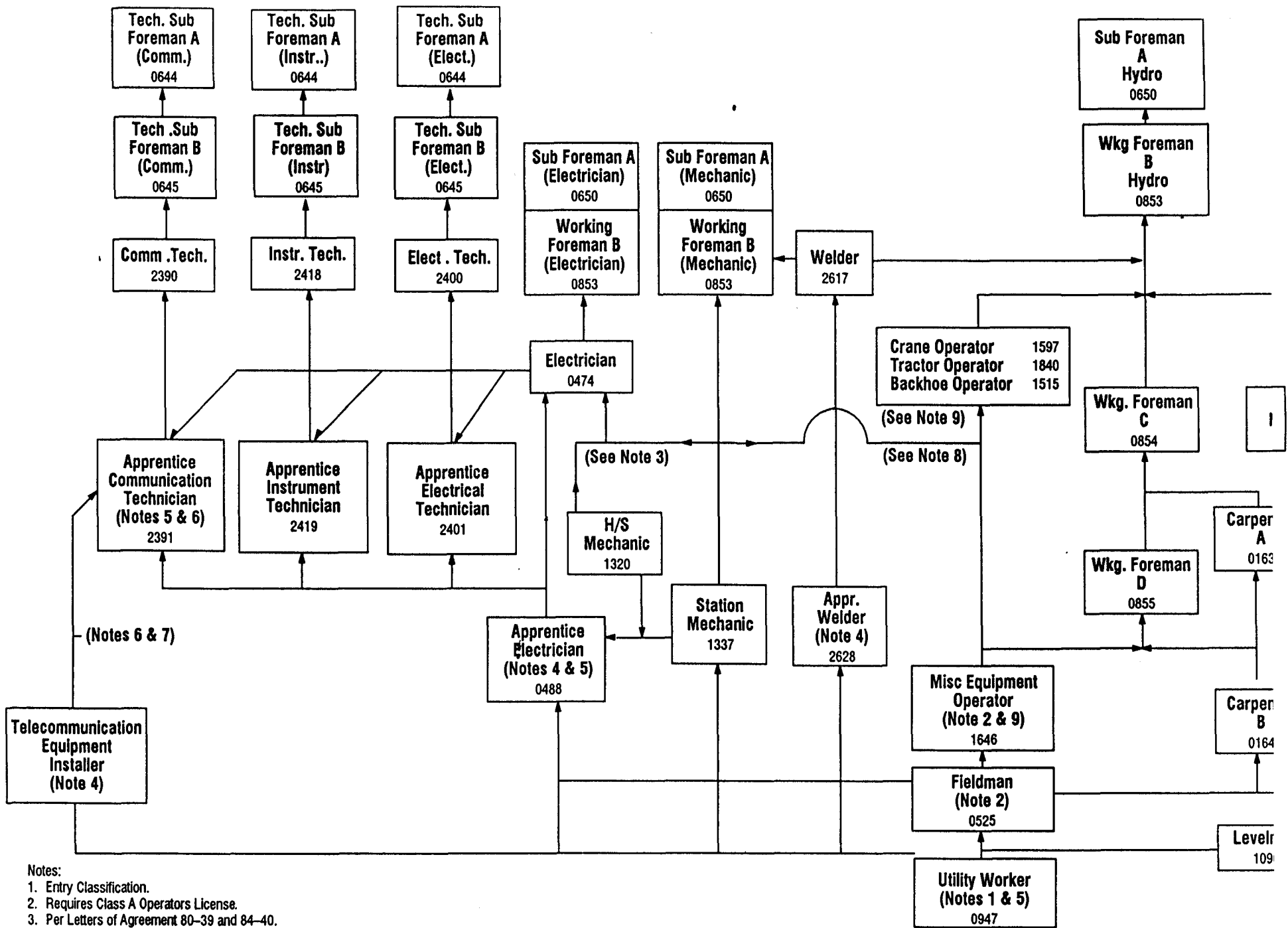
LOCAL UNION NO. 1245, INTERNATIONAL
BROTHERHOOD OF ELECTRICAL WORKERS, AFL-CIO

Feb 28, 1991

By 
Business Manager

:mc





- Notes:
1. Entry Classification.
 2. Requires Class A Operators License.
 3. Per Letters of Agreement 80-39 and 84-40.
 4. Prerequisite - passing grade on ACT Test.
 5. May go directly to Apprenticeship provided employee completes entry requirements to Apprenticeship and provided employer's need for apprentices exists.
 6. Prerequisite for Classification - Valid Radio Telephone Operator's License or a Company-approved certification.
 7. May become 5th step Appr. Comm. Tech. upon completion of Appr. Comm. Tech. exam.
 8. Crane operators who were promoted from the Station Mechanic Line of Progression may return to Station Mechanic Line of Progression pursuant to Title 306.
 9. Must have a minimum of 6 months' experience in Substation work before operating equipment in a substation.

**STATION, SUBST
HYDRO CONSTR**